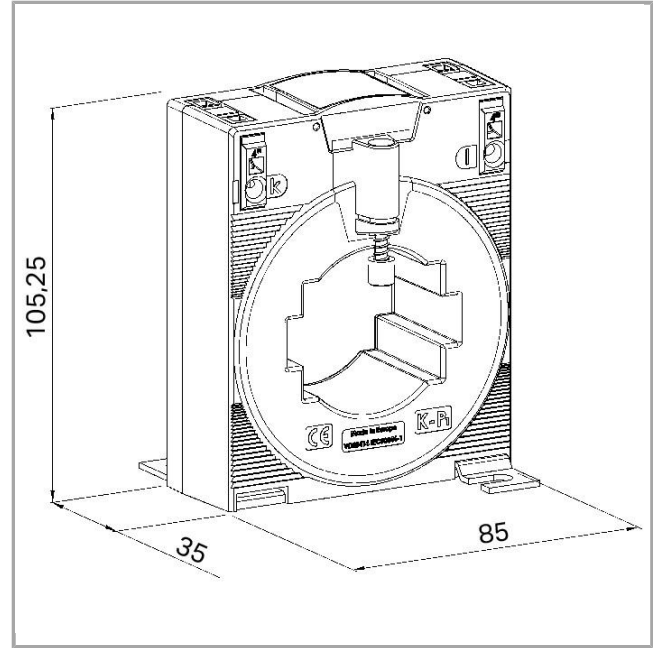


Data sheet | Item number: 855-505/600-1001

Plug-in current transformer; Primary rated current: 600 A; Secondary rated current: 5 A; Rated power: 10 VA; Accuracy class: 1

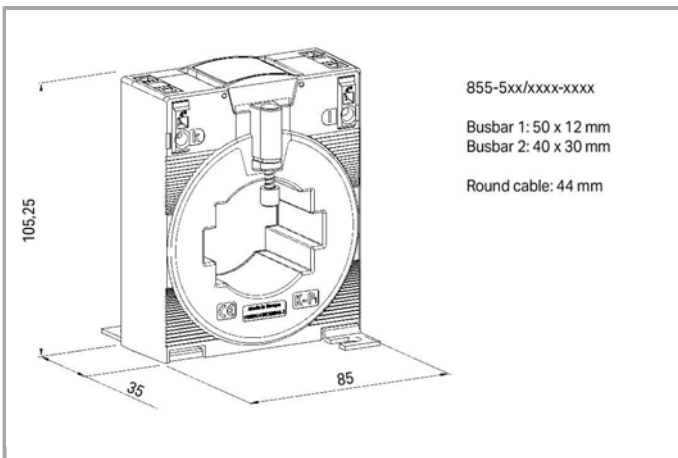


855-505_600-1001



RoHS Compliant

[BOMcheck.net](https://www.bomcheck.net)



Item description

Short description:

The 855 Series Plug-In Current Transformers are inductive, single-conductor current transformers. Due to the measurement principle used, these current transformers are exclusively designed for AC network applications.

Features:

- Screwless CAGE CLAMP® connection technology
- Several mounting options available
- Vibration- and shock-resistant
- High mechanical retention forces
- High current-carrying capacity
- Continuous overload of 120 % the nominal primary current
- Low-voltage current transformer for operating voltages up to max. 1.2 kV
- Can be used in 690 V power networks
- UL recognized components

Data

Technical Data

Input – current transformer

Primary rated current	600 A
Rated continuous thermal current I_{cth}	$1.2 \times I_N$
Rated short-time thermal current I_{th}	$60 \times I_N / 1 \text{ s (max. 100 kA / 1 s)}$
Overcurrent limiting factor	FS5 / FS10 (type dependent, see type plate inscription)
Rated frequency	50 60 Hz

Output – Current transformer

Highest voltage for equipment U_m	$1.2 \text{ kV}_{rms} \text{ AC}$
Secondary rated current	5 A
Rated power S_r	10 VA

Measurement error

Accuracy class	1
----------------	---

Safety and protection:

Highest voltage for equipment U_m	$\text{AC } 1.2 \text{ kV}_{rms}$
Test voltage	$\text{AC } 6 \text{ kV}; 50 \text{ Hz}; 1 \text{ min}$

Connection data

Connection technology	CAGE CLAMP®
-----------------------	-------------



Solid conductor	0.08	4 mm ² / 28	12 AWG
Fine-stranded conductor	0.08	4 mm ² / 28	12 AWG
Strip length	9	10 mm / 0.35	0.39 inch

Geometrical Data

Width	85 mm / 3.346 inch
Height	105.25 mm / 4.144 inch
Depth	52 mm / 2.047 inch

Mechanical data

Type of mounting	Current transformers (closed) Secured to mounting plate Mounting on round cable
------------------	---

Material Data

Insulation class	E
Weight	366 g

Environmental Requirements

Surrounding air (operating) temperature	-5 50 °C
Surrounding air (storage) temperature	-25 70 °C
Max. operating altitude	1000 m

Standards and specifications


Conformity marking	CE
Standards/specifications	EN 61869-1; EN 61869-2; UL: E356480

Commercial data

Country of origin	DE
GTIN	4050821845737
Customs Tariff No.	85043129900











Approvals / Certificates

UL-Approvals

Logo	Approval	Additional Approval Text	Certificate name
	UL Underwriters Laboratories Inc.	-	E356480

Compatible products

General accessories

	Item no.: 2007-8873 Compact terminal block; for current and voltage transformers; 6,00 mm ² ; multicoloured	2007-8873
	Item no.: 2007-8874 Compact terminal block; for current and voltage transformers; 6,00 mm ² ; multicoloured	2007-8874
	Item no.: 2007-8875 Compact terminal block; for current transformer circuit; 6,00 mm ² ; multicoloured	2007-8875
	Item no.: 2007-8876 Compact terminal block; for 3-phase current transformer circuit; 6,00 mm ² ; multicoloured	2007-8876
	Item no.: 2007-8877 Compact terminal block; for current transformer circuit; 6,00 mm ² ; multicoloured	2007-8877
	Item no.: 2857-570/024-005 3-Phase Power Measurement Module; 3x400/690 V/5 A; Modbus RTU; Digital output; Configuration via software; Supply voltage: 24 VDC	2857-570 /024-005
	Item no.: 857-550 Current signal conditioner; Current input signal; Current and voltage output signal; Digital output; Configuration via software; Supply voltage: 24 VDC; 6 mm module width; 2,50 mm ²	857-550
	Item no.: 857-569 Power signal conditioner; Current and voltage input signal; Current and voltage output signal; Digital output; Configuration via software; Supply voltage: 24 VDC; 6 mm module width	857-569
tools		
	Item no.: 210-720 Operating tool; Blade: 3.5 x 0.5 mm; with a partially insulated shaft	210-720
assembling		
	Item no.: 855-9910 Quick-mount kit	855-9910

Downloads

Documentation

Additional Information

Disposal; Electrical and electronic equipment, Packaging	V 1.0.0	pdf 265.8 kB	Download
--	---------	-----------------	----------

Engineering-Software

Software for Interface-Products

Interface-Konfigurationssoftware FULL	1.6.2.11	exe	Download
---------------------------------------	----------	-----	----------



Das Full-Setup beinhaltet neben der WAGO-Interface-Konfigurations-Software zusätzlich die Installation für das Microsoft .NET Framework.	Jan 14, 2019	97.5 MB	
Interface-Konfigurationssoftware SMALL	1.6.2.11	exe	Download
Das Small-Setup beinhaltet nur die WAGO-Interface-Konfigurations-Software.	Jan 14, 2019	47.1 MB	

CAD/CAE - Smart Data

CAD data

3D Download 855-505/600-1001	URL	Download
------------------------------	-----	----------

EPLAN

EPLAN Data Portal	Download
-------------------	----------

Subject to changes.